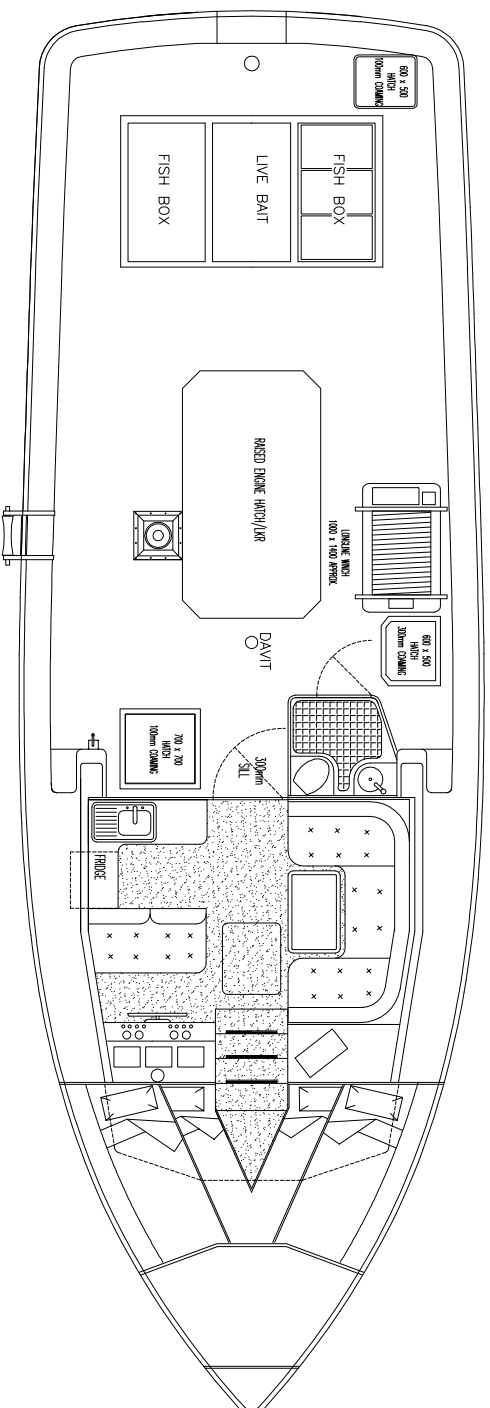
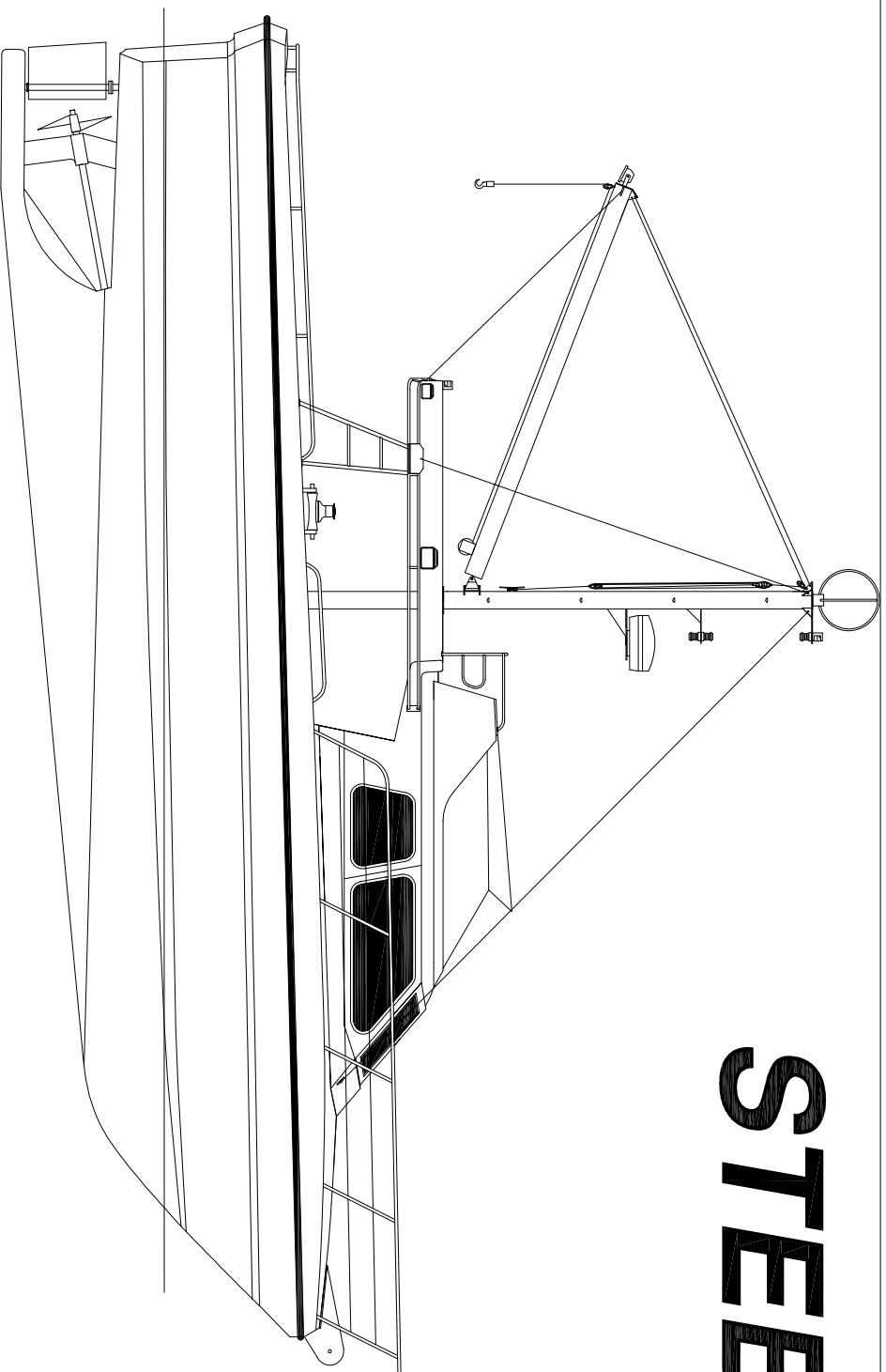


STEBER 48



STEBER INTERNATIONAL
STEBERCRAFT PTY. LTD.

